



---

# IP-02

## 2:1 RATIO TRANSFER PUMP

### OPERATING MANUAL



**IPM, INC.**

---

Manufactured by International Pump Manufacturing, Inc.

Covers models: IP02, IP02S, IP02SST and IP02S-SST

Manual Number: MIP11192008

# IP-02, IP-02S IP02-SST, IP02S-SST

## 2:1 RATIO TRANSFER PUMP

### OPERATION MANUAL with PARTS IDENTIFICATION

This manual contains **IMPORTANT WARNINGS** and **INSTRUCTIONS**. Read and retain for reference.

International Pump Mfg, INC.

3107 142nd Avenue E Suite 106  
Sumner, WA 98390  
U.S.A.

TEL: (253) 863 2222

FAX: (253) 863 2223

Website : [www.ipmpumps.com](http://www.ipmpumps.com)

**For Technical Service Call Your Local Distributor**

Copyright 2004 International Pump Mfg, Inc.

Printed: November 2008

---

---

**WARNING:** The equipment described herein must only be operated or serviced by properly trained individuals, thoroughly familiar with the operating instructions and limitations of the equipment.

---

Notice: All statements, information and data given herein are believed to be accurate and reliable but are presented without guarantee, warranty or responsibility of any kind expressed or implied. Statements or suggestions concerning possible use of IPM equipment are made without representation or warranty that any such use is free of patent infringement, and are not recommendations to infringe any patent. The user should not assume that all safety measures are indicated or that other measures may not be required.

# **CONTENTS:**

1.0 SAFETY WARNINGS.....	4
2.0 INSTALLATION.....	7
2.1 MOUNTING CONFIGURATION.....	8
3.0 OPERATIONS.....	9
4.0 MAINTENANCE AND REPAIR SECTIONS	
4.1 AIR MOTOR DISASSEMBLY.....	11
4.2 AIR MOTOR ASSEMBLY.....	13
4.3 DISASSEMBLY LOWER FLUID SECTION.....	14
4.4 ASSEMBLY LOWER FLUID SECTION.....	16
5.0 PARTS IDENTIFICATION	
5.1 PARTS DIAGRAM FOR AIR MOTORS (IP02/IP02S)..	17
5.2 PARTS LIST FOR AIR MOTORS (IP02/IP02S).....	18
5.3 FLUID SECTION PARTS DIAGRAM IP02.....	19
5.4 PARTS LIST IP-02.....	20
5.5 FLUID SECTION PARTS DIAGRAM IP-02SST.....	21
5.6 PARTS LIST IP-02SST.....	22
5.7 FLUID SECTION PARTS DIAGRAM IP02-S.....	23
5.8 PARTS LIST IP02S.....	24
5.9 FLUID SECTION PARTS DIAGRAM IP02S-SST.....	25
5.10 PARTS LIST IP02-SST.....	26
6.0 REPAIR KITS.....	27
7.0 TROUBLESHOOTING.....	28
8.0 TECHNICAL SPECIFICATIONS.....	29
9.0 WARRANTY AND DISCLAIMER.....	32

# 1.0 SAFETY WARNINGS

Please read and observe all warnings contained in this operations manual before any attempt to operate the equipment.

## ***Misuse of Equipment***

Misuse of the Equipment can cause serious injury. Use the equipment only for its intended purpose. Care should be taken to prevent over pressurization of the pump or accessories connected to it. Use only proper parts in good condition. Use the pump only with compatible fluids. Improper use or misuse of this equipment could result in fluid being splashed on the skin or in the eyes, serious bodily injury, property damage, fire or explosion.

Make daily check on the equipment and repair damaged or worn parts immediately.

Do not alter this equipment, doing so could cause it to function incorrectly and could cause serious injury.

## ***Material & Fluid compatibility***

Always ensure the chemical compatibility of the fluids and solvents with the wetted parts in the pump and any components. Check the fluid manufacturer's data sheets and specifications before using the fluids or solvents in this pump.

## ***Pressurized Hoses***

Because the hoses are pressurized, they present a danger should the fluid escape at high pressure. This escaping fluid pressure can spray out and cause serious bodily injury or property damage. Ensure that the hoses do not leak or rupture due to wear, misuse or damage.

The hoses should be handled properly - do not pull on the hoses to move the equipment around. Use the hoses only for fluids in which they are compatible both for the inner liner of the hose and the outer covering. Use care not to exceed the temperature rating of the hose.

Before each use, ensure that the fluid couplings are tight and that the entire length of hose is not worn or damaged. Check the entire hose for leaks, bulging cover, damage, abrasion or cuts. These conditions may cause the hose to fail that could result in splashing of pressurized fluid on the skin, or in the eyes and cause serious bodily injury or property damage.

## ***Pressure Specification***

The maximum working fluid pressure of this equipment is *180 psi (12.5bar)* at the maximum incoming air pressure of *180 psi (12.5bar)*. Ensure all equipment and accessories used with this pump are rated to withstand the maximum working pressure of this pump. Never exceed the maximum working pressure of the pump or any device attached to the pump.

## ***Procedure for Pressure Relief***

In order to avoid the risk of serious bodily injury such as splashing fluid on the skin or in the eyes, or risk of injury from moving parts, the following procedure should be used. This procedure should be used when shutting down the pump, when servicing or repairing the pump or any part of the system, when replacing or cleaning components, or when pumping of fluid is stopped.

1. Close the air valve to the pump.

2. Use the air bleed down valve (see installation instructions) to relieve the air pressure in the system.
3. Relieve the fluid pressure by holding a grounded metal pail in contact with the metal part of the fluid dispense valve and slowly opening the valve.
4. With a container ready to catch the fluid open the drain valve (see installation instructions).
5. It is a good practice to leave the drain valve open until it is time to dispense fluid again.

If you are unsure that the fluid pressure has been relieved (due to a blockage in a component or a hose) be careful to relieve the pressure by slowly loosening the hose end coupling to allow the fluid pressure to escape slowly. After the pressure has been relieved, the fitting can be removed completely and any blockages removed.

### ***Hazards from Fire or Explosion***

Hazards exist when sparks can ignite vapors or fumes from flammable or combustible materials or other hazardous conditions (explosive dusts, etc.). These sparks can be created from plugging in or unplugging an electrical supply cord. Sparks can also be created from the static electricity generated by the flow of fluid through the pump and hose.

Every part of the equipment must be properly grounded to prevent static electricity from generating a spark and causing the pump or system to become hazardous. These sparks can cause a fire, explosion, and serious bodily injury and property damage. Ensure that the pump and all components and accessories are properly grounded and that electrical supply cords are not plugged in or unplugged when these hazards exist.

Should any evidence of static electricity (sparks or small shocks while in contact with the equipment) exists, discontinue the operation immediately. Investigate the source of the static electricity and correct the grounding problem. Do not use the system until the grounding problem is repaired.

### ***Grounding Procedures***

Grounding of the pump and all other dispensing equipment is necessary to minimize the possibility of sparks due to static electricity. Grounding must be in compliance with local electrical codes. Check with the local authorities for requirements in your area and with the type of equipment being used. Ensure that all the following equipment is grounded:

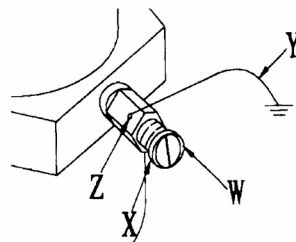
1. Air Compressor: Follow the grounding procedures as recommended by the manufacturer.
2. Air Hoses: Use grounded air hoses.
3. Fluid Container used to supply the system: Grounding must be done according to local codes.
4. Pump: Follow the procedures included referring to Figure 1.
5. Fluid Hoses: Use grounded fluid hoses.
6. Dispensing Valve: The valve must be metal to conduct through the fluid hose to the pump which must be properly grounded.
7. Dispensing Point: Grounding must be done according to local codes.

- |    |   |  |
|----|---|--|
| 8. | Solvent Containers:<br>metal                              | Grounding must be done according to local codes. Use<br>conductive pails that are properly grounded.                         |
| 9. | Grounding while<br>dispensing, cleaning,<br>or relieving: | Maintain conductivity by firmly holding the metal part of the<br>dispensing valve to the side of a grounded metal container. |

## FIGURE 1

### ***Grounding the Pump:***

Follow these procedures for grounding the pump. Loosen the lock screw (W) to allow insertion of one end of a 12 ga. (1.5 mm<sup>2</sup>) minimum size wire into the hole in the side of the lug (Z). Insert the wire (Y) and tighten the lock screw securely. The other end of the ground wire must be secured to a true earth ground.



### ***Hose Grounding:***

It is very important that the hoses used for both air and the fluid be a grounding type and that this ground continuity is maintained. Regular checks of the hose ground resistance (with a resistance meter using a suitable range) and a comparison to the Manufacturer's Specification will ensure the ground is within specifications. If it is not within specified limits it should be replaced immediately.

### ***Solvent Cleaning:***

While cleaning the system with solvent, hold the metal part of the dispensing valve in contact with a grounded metal pail to minimize the possibility of splashing fluid on the skin or in the eyes or static sparks. Use low fluid pressure for additional safety.

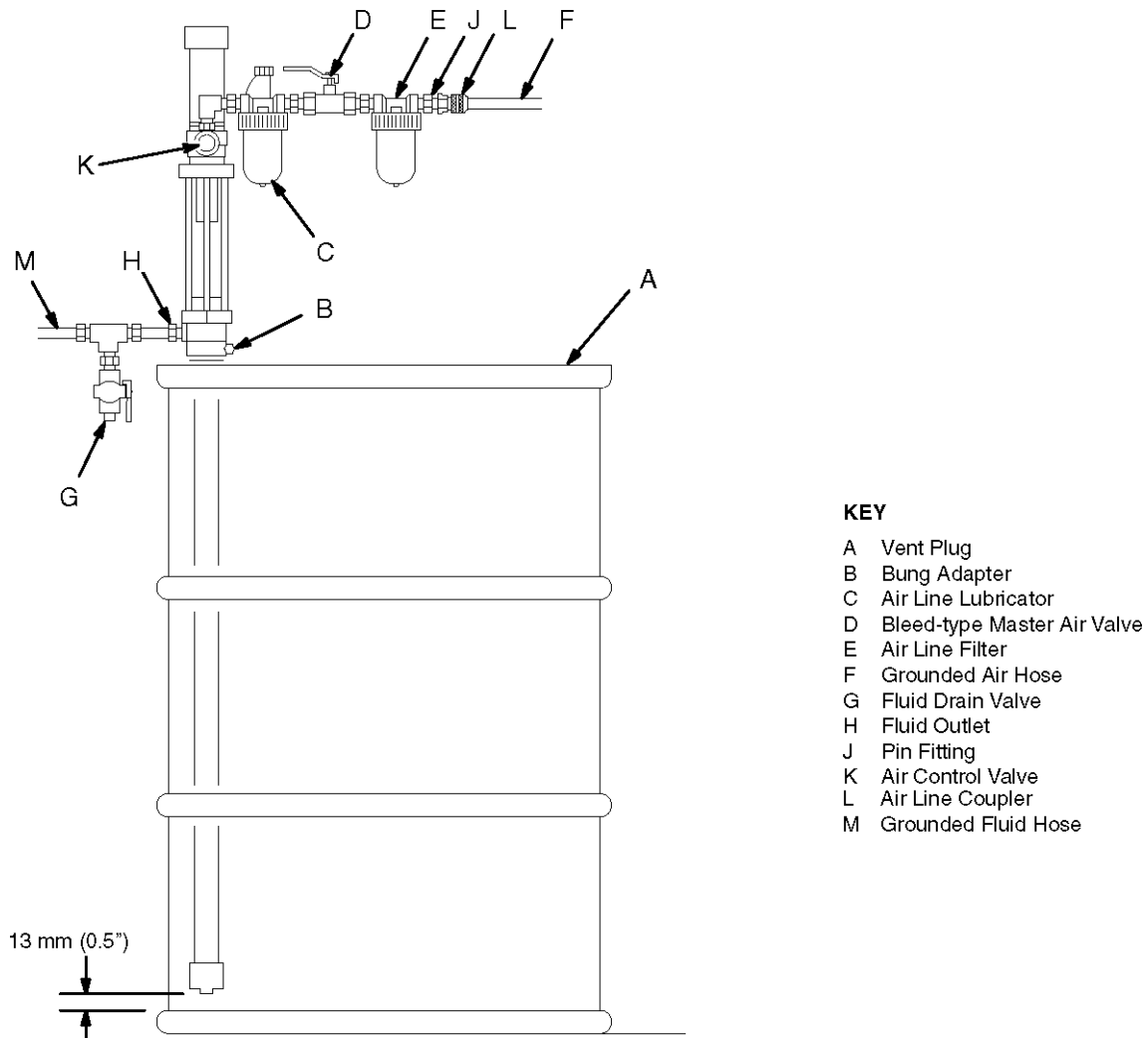
### ***Hazards From Moving Parts:***

Use the Pressure Relief Procedure (page 9) to prevent the pump from starting unintentionally when not desired. Please observe that moving parts present a pinching hazard to fingers or other body parts. Always stay clear of moving parts when starting or operating the pump.

### ***Safety Standards:***

Safety standards have been established by the United States Government under the Occupational Safety and Health Act. These standards should be consulted as they apply to the hazards and type of equipment being used.

## 2.0 INSTALLATION



**FIGURE 2**

Figure 2 depicts a typical installation provided as a guide for your reference. Select and install optional accessories required. Feel free to call an **IPM** representative or the **IPM** Technical Department for assistance.

## **2.1 Mounting Configuration**

Install the necessary accessories in sequence using **Figure 2** as a guide. An Air Control Valve (K) for Controlling air flow is required with the equipment. To minimize the risk of serious bodily injury such as splashing fluid on the skin or in the eyes; or risk of injury from moving parts, install the following accessories in your system.

**1. Bleed-off master air valve (D)**

This valve will relieve the air trapped within the system after the pump is stopped. Air that is trapped between this valve and the pump can cause the pump to reciprocate unintentionally, which may cause harm to the operator.

**2. Fluid Drain Valve (G)**

The fluid drain valve (use a metal valve for grounding purposes) is installed to relieve fluid pressure in the pump, hose or the dispensing valve when the pump is stopped. The relief of pressure by the dispensing valve, which at times is inadequate if there is a clog or restriction in the hose or the dispensing valve, can be achieved by using the fluid drain valve (G).

**3. Low level cut-off valve or runaway safety valve**

The low level cut-off valve should be installed at the fluid intake port of the pump. It shuts off the fluid intake when the fluid level is too low, causing the pump to stall. This is to prevent the pump from running empty. If not, then a runaway safety valve should be installed. This valve shuts off the air supply to the pump if the pump accelerates beyond the pre-set value when the fluid level is too low and the pump is pumping air, or there is insufficient fluid for normal pump operation.

Connect an air lubricator (C). The lubricator provides proper lubrication to the air motor. (see daily maintenance check). Next, install a bleed-off master air valve (D). This valve is required in your system to relieve trapped air (as explained above).

Air Filter (E) helps to remove dirt and foreign particles from the supply air, water moisture also will be trapped within this filter. Be sure to release the trapped water daily as a good housekeeping practice (Also see daily maintenance check). Connect a grounded air supply hose for the supply of air.

For the fluid section, connect one fluid drain valve (G) directly after the outlet of the pump. Be sure to connect it pointing downwards for safety. Connect a grounded fluid hose (M) to the fluid outlet 3/4" NPTF.

**Grounding of the pump and accessories are to be ensured before operation. Observe all OSHA regulations and other safety regulations.**



## 3.0 OPERATION

### Start up and Adjustment of the Pump *(Refer figure 2, page 7)*

**Ensure that installation is fully completed before proceeding to start up operations.**

1. Ensure that the air control valve (K) is closed. Open the bleed-type master air valves (D). Connect the quick disconnect coupler to the male fitting.
2. Into a grounded metal container, open the dispensing valve (G) slowly. Ensure metal-to-metal contact between the container and the valve.
3. Adjust the pump air control valve (K) slowly for pressure just enough to start running the pump. This is to prime all air within the system. After all the air has been expelled from the lines, close the dispensing valve. During the priming of the pump, the pump runs when the dispensing valve is opened and stop when the valve is closed.
4. Turn the air regulator slowly until sufficient flow from the dispensing valve is achieved. Remember to run the pump always at the lowest possible speed necessary to achieve what is desired. Never exceed the maximum working pressure of any component in the system.
5. The pump should not be left to run dry of the fluid being pumped. When running empty, the pump speed will become very fast and probably cause damage. During operation, should the pump be found to run too fast, stop it immediately and check the fluid supply. Is the fluid level in the drum too low or empty? If air has gone into the system, do a priming procedure. Ensure that all air has been expelled from the lines before beginning operations again. Flush the pump or leave it filled with a compatible solvent when not in use.
6. Always follow the Pressure Relief Procedure should the pump be put away for any period of time or during system shut off at the end of the day.

### Daily Maintenance Check

1. Ensure sufficient lubricant in the air lubricator.
2. Drain the moisture trapped in the air pressure regulator.

**Clean and flush the pump thoroughly with care and appropriate cleaning fluid to obtain maximum service life of the equipment.**

### Procedure For Pressure Relief

In order to avoid the risk of serious bodily injury such as spraying fluid on the skin or in the eyes, or risk of injury from the moving part, the following procedure should be used. This procedure should be used when shutting down the pump, servicing or repairing the pump or any part of the system, replacing or cleaning components, or if the pumping of fluid has stopped.

1. Close the air valve (D) of the pump.
2. Use the air bleed down valve (see installation instructions) to relieve the air pressure in the system.

3. Relieve the fluid pressure by holding a grounded metal pail in contact with metal part of the fluid dispense valve (G) and slowly opening the valve.
4. With a container ready to catch the fluid open the drain valve (G) (see installation instructions).
5. It is a good practice to leave the drain valve (G) open until it is time to dispense fluid again.

If you are unsure that the fluid pressure has been relieved due to a blockage in a component or a hose, relieve pressure by slowly loosening the hose end coupling to allow the fluid pressure to escape. After the pressure has been relieved, the fitting can be removed completely and any blockages removed.

### Flush the Pump before Using It

1. The pump is tested with lightweight DOP oil, which is left in to protect the pump parts. If the fluid you are pumping may be contaminated by oil, flush out the oil with a compatible solvent before using the pump. Follow the Flushing Instruction below:

## Warning

To reduce the risk of static sparking, splashing fluid in the eyes or on the skin, follow the **Pressure Relief Procedure** before flushing.

For your safety, read the **Fire or Explosion Hazard** before flushing and follow all the recommendations furnished.

2. If you are pumping fluid that dries, hardens or sets up, flush the system with a compatible solvent as often as necessary to prevent build-up of dried fluid in the pump or hoses.
3. If the pump is being used to supply a circulating system, allow the solvent to circulate through the entire system for at least 30 minutes every 48 hours- more often if necessary to prevent any undesired settling.
4. Always fill the wet-cup 1/2 full of Throat Seal Liquid (TSL) or a compatible solvent to keep the fluid from drying on the displacement rod and/or damaging the pump throat packing.
5. Lubricate the throat packing frequently when you are pumping a non-lubricating fluid, or are shutting down for more than a few days.

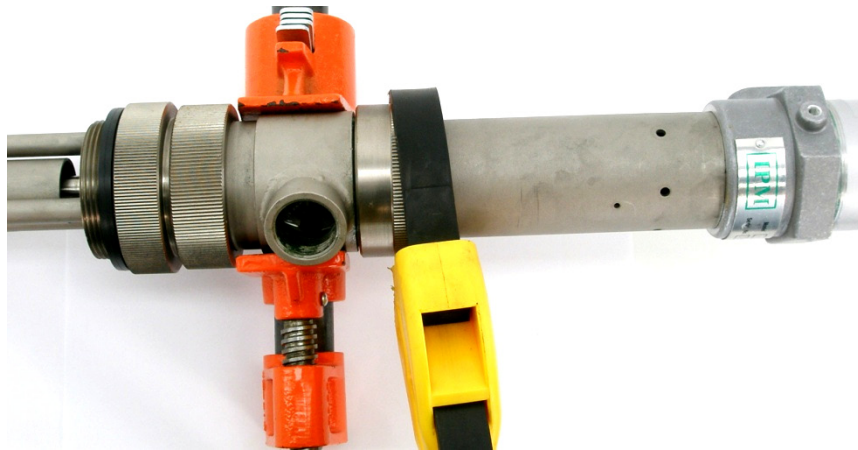
### Shut down & care of the Pump

*For overnight shut down, follow the Pressure Relief Procedure on page 9. Always stop the pump at bottom of the stroke to prevent the fluid from drying on the exposed displacement rod, which could damage the throat packing.*

## 4.0 IP-02 Maintenance & Repair Section

### 4.1 Air Motor Disassembly Procedure

1. Follow the *Procedure For Pressure Relief* on page 9. It is very important to relieve all air and fluid line pressure, as well as pump pressure before proceeding to the next step or injury can occur.
2. Remove inlet and outlet hoses. Place the pump in a vise or other holding device. If you know that you just need to work on the air motor, the pump can simply be left in the drum it is operating in.
3. Clamp on the housing with the outlet hole against one of the jaws of the vice. When clamping the housing- either the air motor assembly or the lower tube and/or foot valve can be removed.



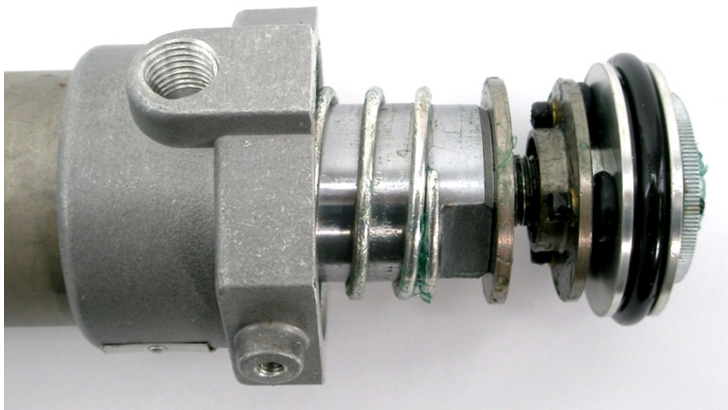
Use a strap wrench to remove the air motor assembly.



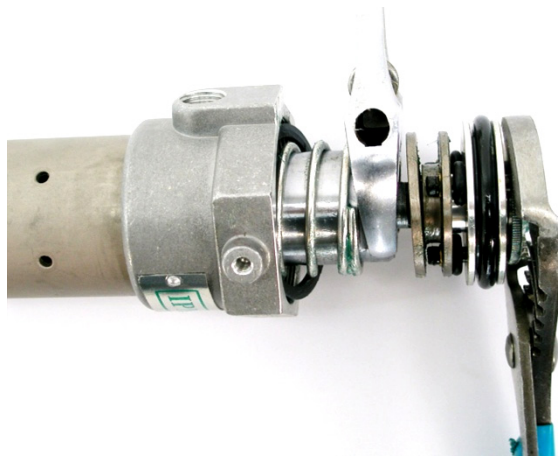
The pump assembly can be removed from the air motor by disengaging the Piston Rod.



Remove the air cylinder either by hand or by using a strap wrench.



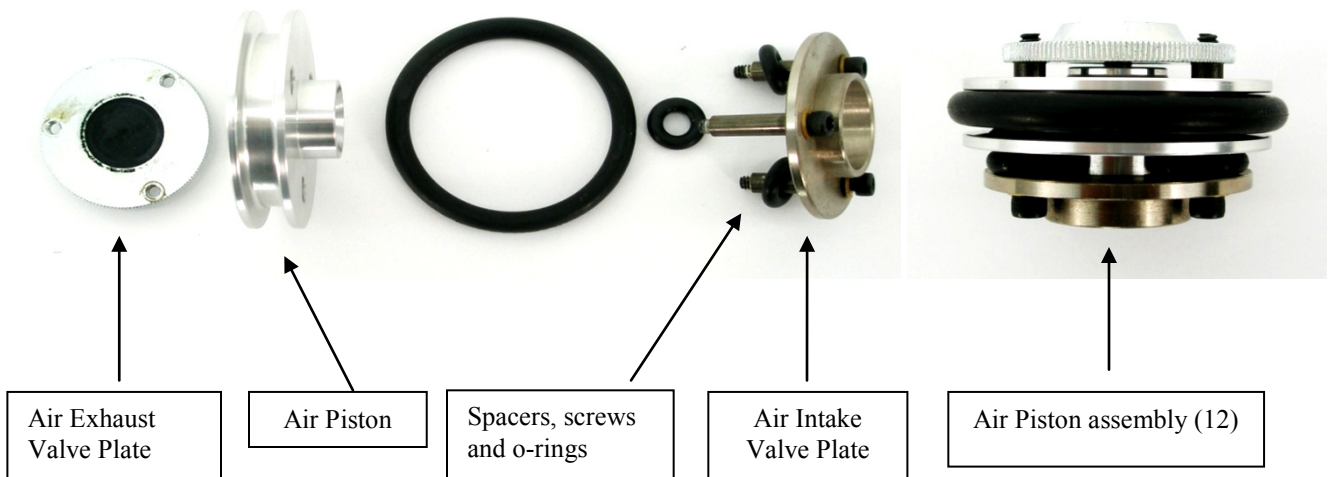
Air piston assembly with the Air Cylinder removed.



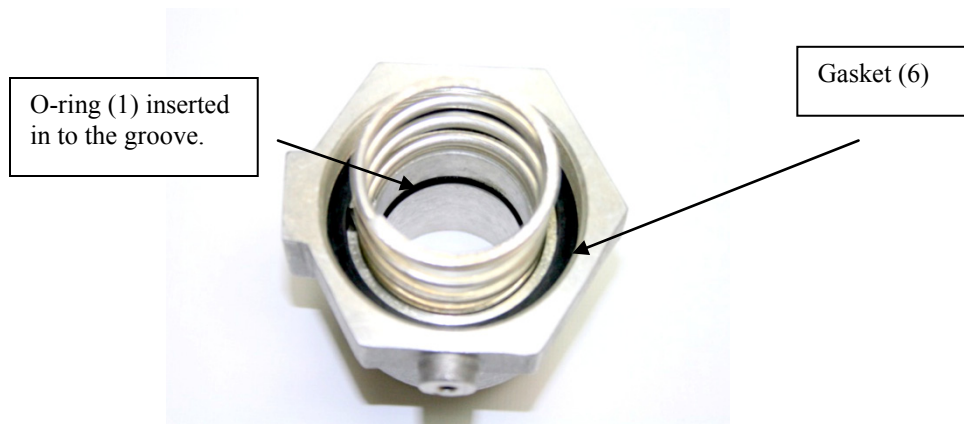
Place a pair of channel-lock pliers on the knurled area and a crescent wrench on the flats to remove the air piston assembly. Examine the spring in the air motor cap to ensure that it is not damaged or loose. Examine the gasket in the air motor cap, and replace as needed. This gasket seals the cylinder cap to the air cylinder. Also inspect the lower return spring to ensure it is secured correctly into the air motor base assembly.

## 4.2 Air Motor Assembly Procedure: (Reference numbers come from Page 20, Air Motor Section)

Assemble the Air Piston assembly (12). Includes parts (13A through 13G). The Air Exhaust Valve Plate (13E) and the screws (13A) require the use of Loctite-222 on the threads to ensure they do not vibrate loose. Tighten the screws to 10-14 inch pounds. **Note:** Inspect the Air Exhaust Valve Plate to make sure that the gasket is still securely attached to the center as shown (*far left, in the photo below*).



1. Assemble the Air Piston assembly (use Loctite-222), with washer (5) onto Piston Rod (11). Hand-tighten only.



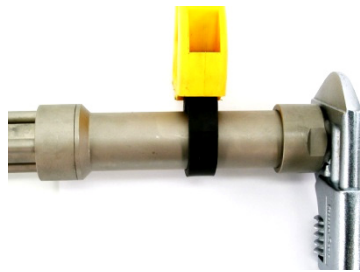
2. Place O-ring (1) inside the groove in the Air Motor Base. Place gasket (6) in the top of the Air Motor Base, with spring (4) centered inside the gasket resting on the Air Motor Base. Slide the Piston Rod and Air Valve assembly in to the Air Motor Base (7).



Spring must be pushed under the lip inside the cap

3. Place the conical spring (2) into the groove in the Air Cylinder Cap (10) followed by Gasket (6). Clamp the Air Motor Base in to a vice and use a strap wrench to assemble the Air Cylinder (3) and the Air Cylinder Cap to the Air Motor Base. Hand-tighten the Air Cylinder cap.
4. Place the Connecting Ring (9) around the Connecting Rod Housing (8) and hand-tighten.

### 4.3 Disassembly Lower Fluid Section



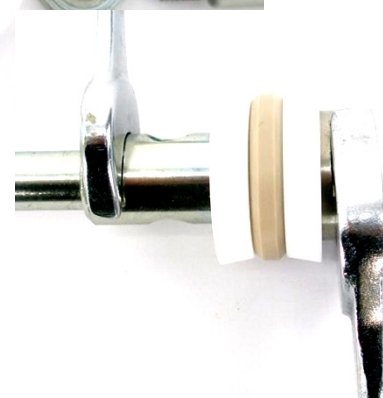
1. Remove the foot valve while holding the cylinder with a strap wrench.
2. With the upper air motor assembly already removed, you should be able to simply push from the upper ball end, the complete assembly out the bottom of the lower section.



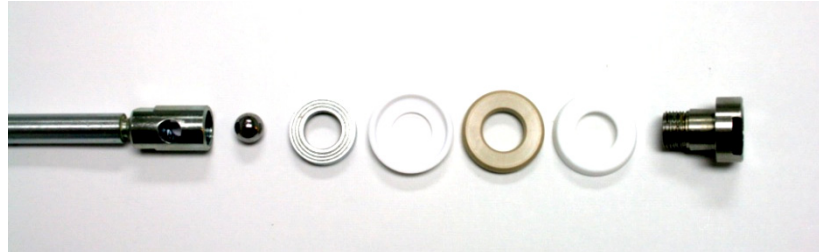
3. Use two wrenches and dismantle the upper pump section. Note the orientation of the Teflon cups. One goes up, followed by a wear ring in the center, and one goes down followed by a lower support washer. Use Loctite-222 when re-installing.



Upper portion of the Lower Connecting Rod assembly.



Internal foot valve of an IP-02 pump.



**Internal foot valve disassembled.** Clean, inspect or replace (if necessary) these components before re-assembly. Use Loctite-222 when re-installing.

After the lower piston rod is inspected and proper parts replaced/cleaned as needed, inspect the lower body assembly and make sure that they are also clean and free from any rough scratches. Grease and push this assembly back up from the bottom into the pump's cylinder. Just push it in far enough to re attach the foot valve.

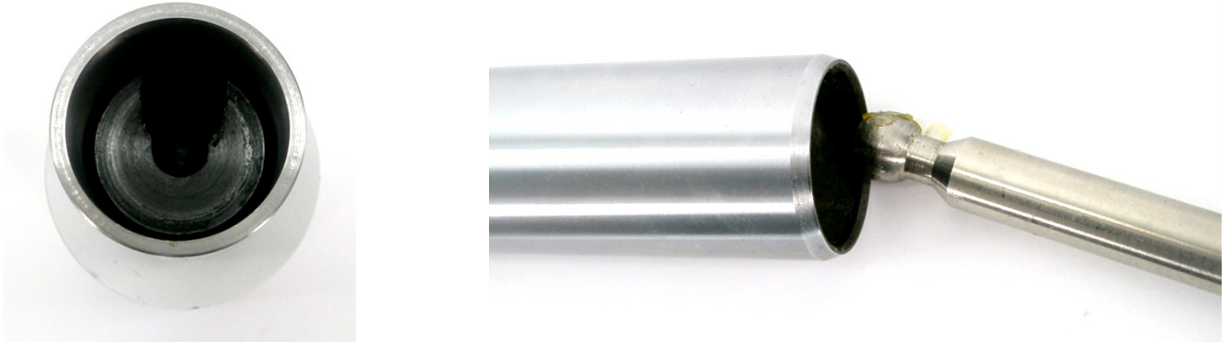


**IP-02 lower foot valve parts.** On the **stubby** version there are  $\frac{3}{4}$ " female pipe threads under the Foot Valve- on the **drum length** IP02 there are not. Should you need to extend in to your container farther, it is recommended to install a proper Cylinder Extension Tube to keep the foot valve at the lowest possible point.

Be sure to clean and inspect and replace any of the above items if needed.

You will need to re-assemble the foot valve assembly the same way that you removed it.

## 4.4 Attaching lower fluid assembly to the Air Motor assembly

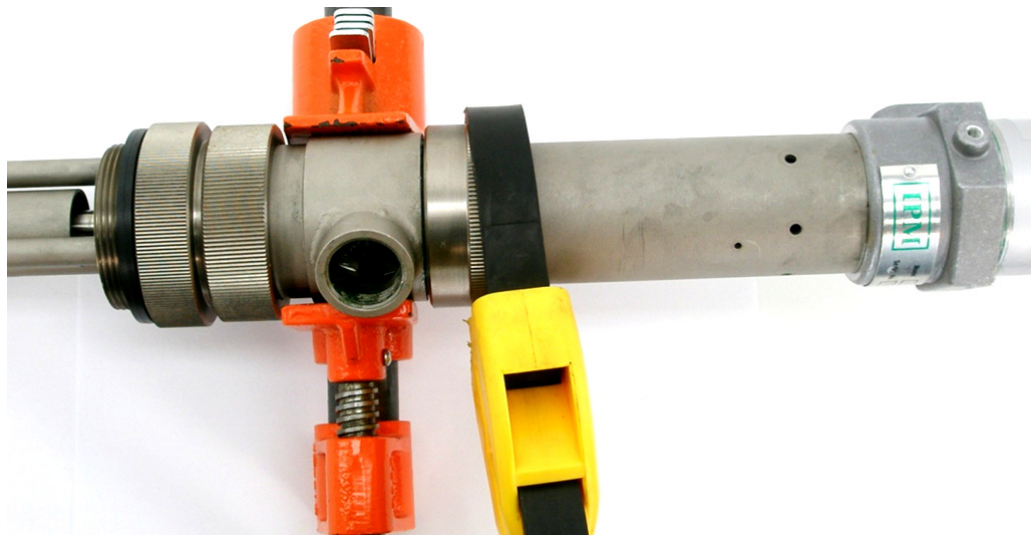


The Piston Rod is actually inside the Air Motor assembly- which has been removed so you can see more detail.

Notice how the Upper Connecting Rod is being inserted at an angle. This is to ensure that the ball on the end correctly engages the slot or notch in the photo on the left.

You will need to “hook” the ball in to the slot by moving at an angle- and then press it towards the center of the notch.

*Note: the lower section will need to have the Piston Rod extended, and the Air Motor will need to be in the down position in order for you to have enough length to hook these two components together.*



Connect the assembly to the lower section as shown.

You should now be ready to re-install the pump into your container. Attach the fluid hose first and tighten before attaching the air line and turning the air supply back on.

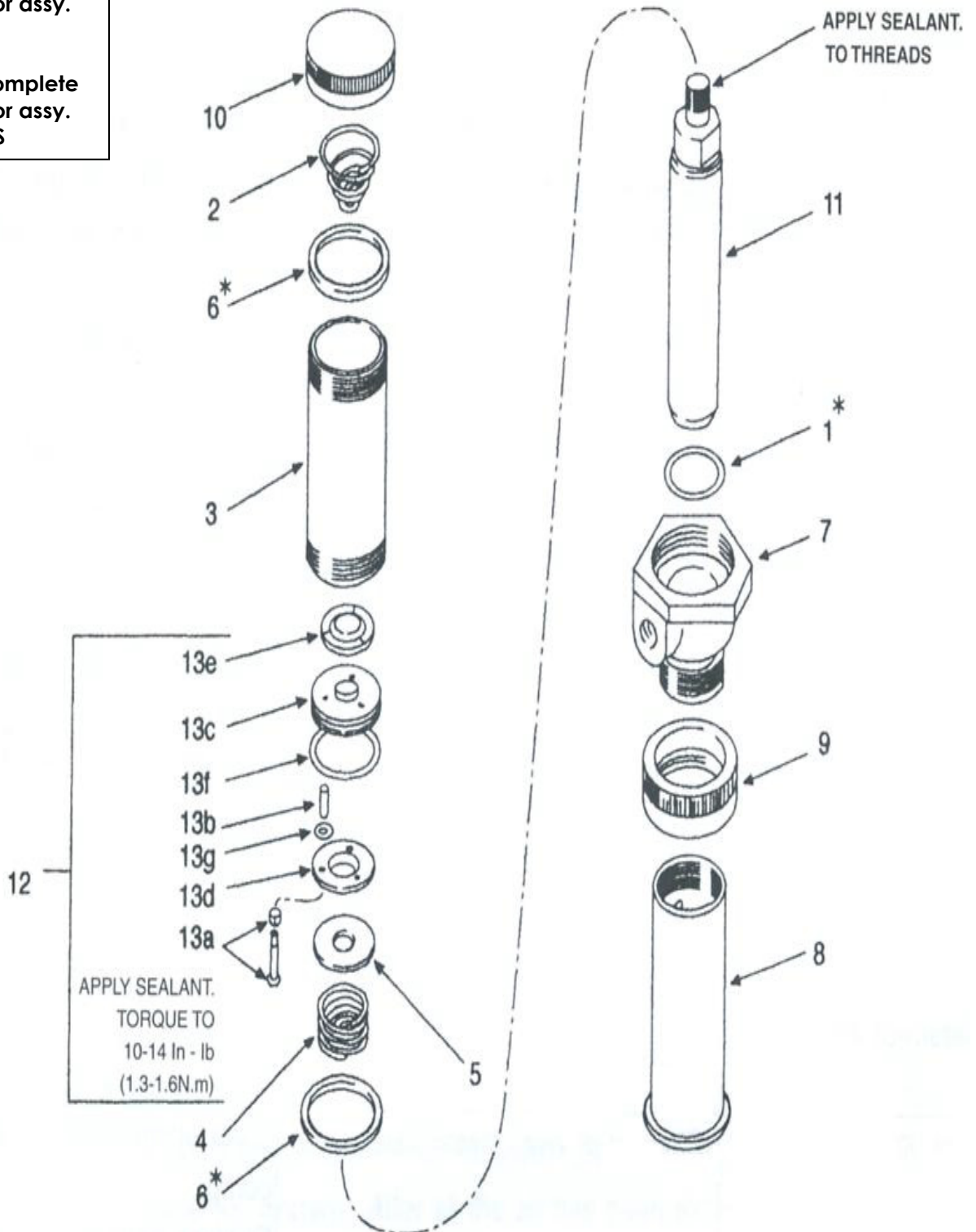


## 5.0 PARTS IDENTIFICATION:

### 5.1 Parts Drawing for AIR MOTOR IP-02 (Drum Length) Parts Drawing for AIR MOTOR IP02S (Stubby)

14A: Complete air motor assy. for IP02.

14B: Complete air motor assy. for IP02S

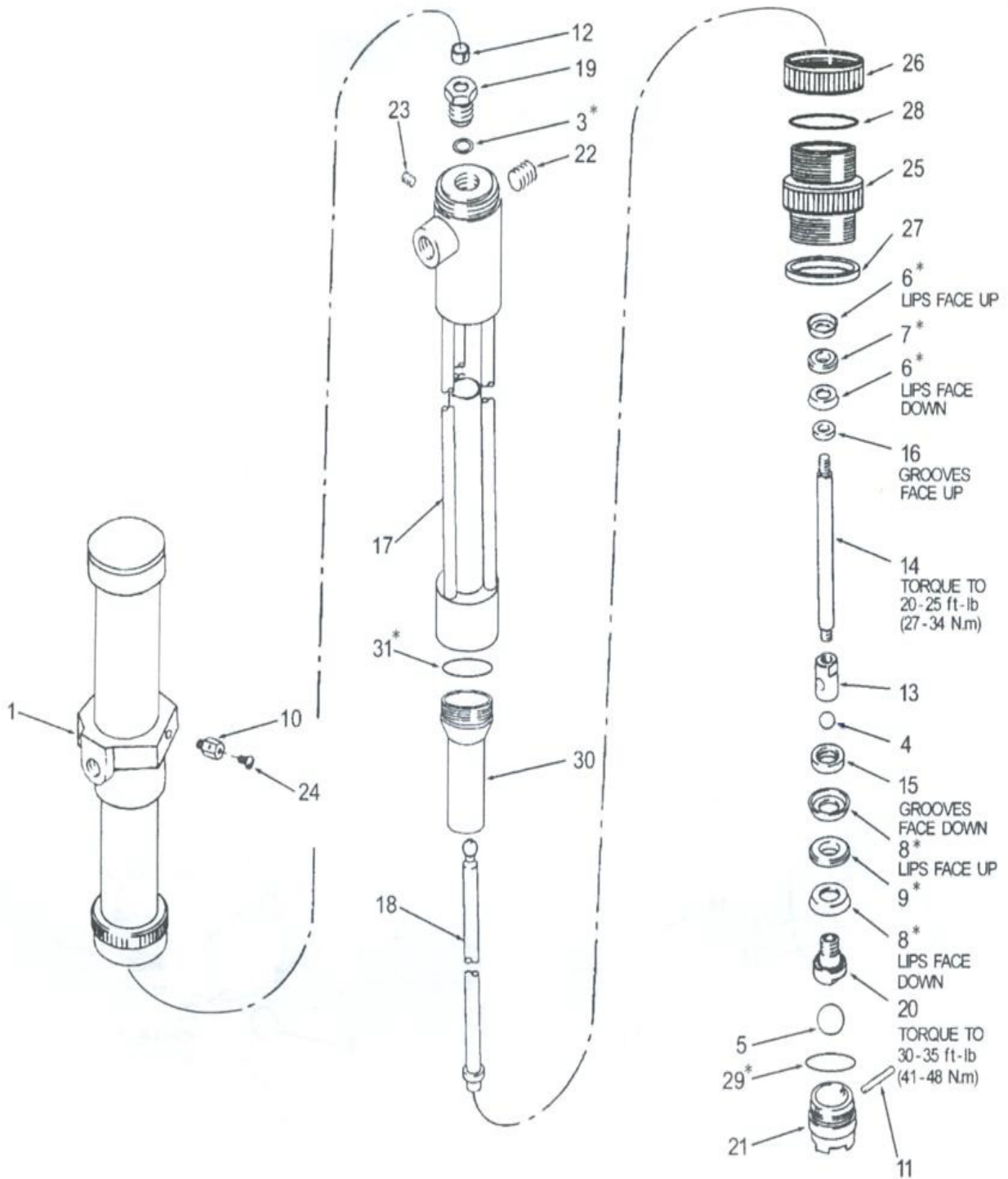


**5.2 Parts List for AIR MOTOR IP-02 (Drum Length)**  
**Parts List for AIR MOTOR IP02S (Stubby)**

<b>Ref No.</b>	<b>New Part Number</b>	<b>Old Part Number</b>	<b>Description</b>	<b>QTY</b>
1*	500206	02-156-698	O-ring	1
2	500284	02-157-630	SPRING, conical	1
3	500203	02-157-632	Air cylinder (IP02)	1
	500241	02-186-565	Air cylinder (IP02S)	1
4	500204	02-157-633	SPRING, compression	1
5	500104	02-157-872	WASHER, valve	1
6*	500236	02-158-109	GASKET, rubber	2
7	500205	02-161-770	BASE, air motor	1
8	500207	02-161-771	HOUSING, connecting rod	1
9	500212	02-161-772	RING, connecting	1
10	500200	02-204-465	Air cylinder cap	1
11	700027	02-204-723	ROD, piston	1
12	700055	02-220-168	Air valve & piston assembly. (Includes 13a-13g)	1
13a	500288	02-220-884	SCREW, SHCS (6-32X1" with copper gasket)	3
13b	500140	02-181-485	SPACER	3
13c	500137	02-189-210	PISTON, air	1
13d	500139	02-181-487	Air intake valve plate	1
13e	500138	02-162-729	Air exhaust valve plate	1
13f*	500141	02-108-357	O-Ring	1
13g*	500144	02-108-358	O-Ring	3
14A	700038	02-204-722	IP02 complete air motor	1
14B	700046	02-223-953	IP02S complete air motor	1

\* Supplied in the air motor repair kit 601011.

### 5.3 Parts drawing for IP-02 Fluid Section for C/Steel (Drum Length)

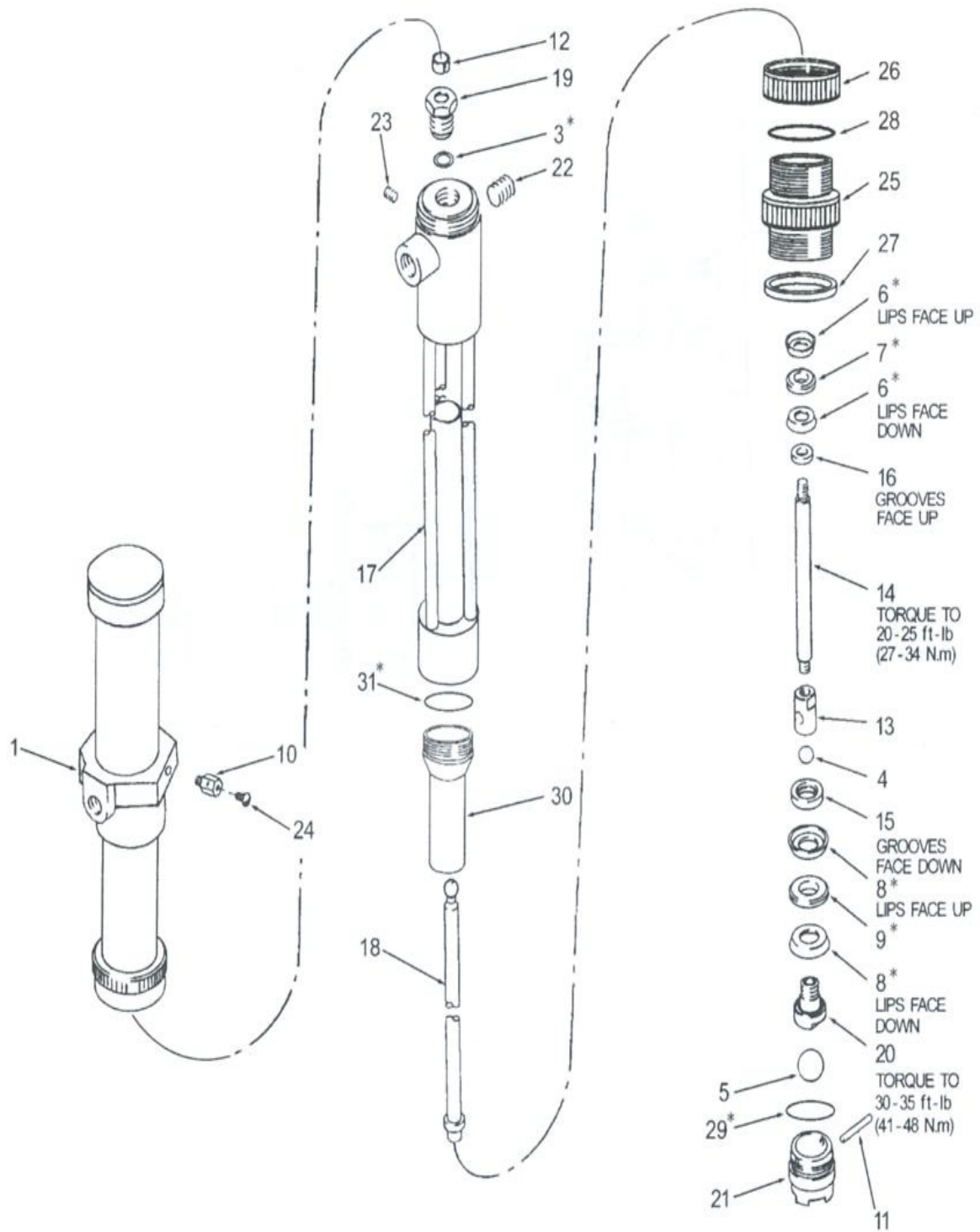


#### 5.4 Parts List for IP-02 Fluid Section for C/Steel (Drum Length)

Ref No.	New Part Number	Old Part Number	Description	QTY
1	700038	02-204-722	AIR MOTOR	1
2	700047	02-208-197	Displacement pump assy. (includes items 3-31)	1
3*	500213	02-102-596	O-Ring, Teflon	1
4	500268	02-101-750	BALL, piston valve	1
5	500269	02-101-917	BALL, intake valve	1
6*	500221	02-161-788	CUP PACKING, Teflon	2
7*	500222	02-186-647	BEARING, Piston	1
8*	500227	02-161-793	CUP PACKING, Teflon	2
9*	500228	02-186-648	BEARING, Piston	1
10	500107	02-104-029	LUG, grounding	1
11	500230	02-164-250CS	PIN, ball stop	1
12	500210	02-166-564	BEARING	1
13	500225	02-169-293	HOUSING, Piston valve	1
14	500224	02-169-294	ROD, lower connecting	1
15	500226	02-169-295	WASHER, back-up	1
16	500223	02-169-296	WASHER, back-up	1
17	700017	02-990-017	FRAME, displacement pump	1
18	700028	02-208-198	Rod, upper connecting	1
19	500211	02-169-298	RETAINER, packing	1
20	500229	02-208-201	BODY, piston	1
21	500289	02-208-202X	Foot Valve	1
22	500233	02-100-040	PLUG, pipe, 3/8" NPT	1
23	500232	02-103-147	PLUG. Pipe, 1/16" NPT	1
24	500108	02-104-582	SCREW, M5X10	1
25	500238	02-990-359-A	ADAPTER, BUNG	1
26	500239	02-990-359-B	CAP, bung adapter	1
27	500053	02-990-359-C	GASKET	1
28	500240	02-990-359-D	O-RING	1
(25-28)	700019	02-990-359	Complete Bung Assy.	1
29*	500237	02-990-032	O-RING	1
30	500220	02-990-017-5	CYLINDER	1
31*	500066	02-990-038	O-RING	1
32	810201	02-208-177	Complete IP02 Pump	1

\*Supplied in the repair kit P/N 601009.

## 5.5 Parts drawing for IP-02SST Fluid Section for S/Steel (Drum Length)

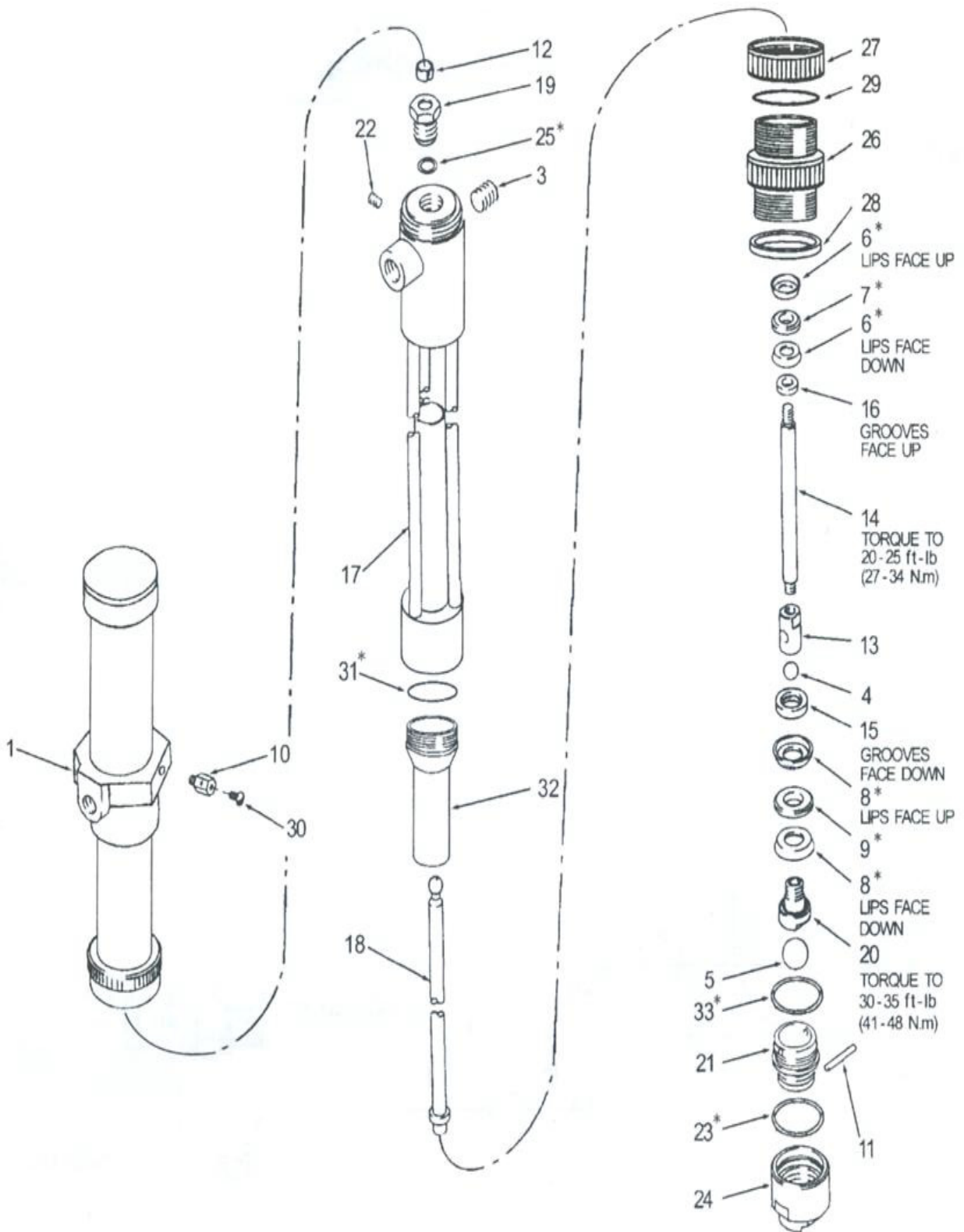


## 5.6 Parts List for IP-02SST Fluid Section for S/Steel (Drum Length)

Ref No.	New Part Number	Old Part Number	Description	QTY
1	700038	02-204-722	AIR MOTOR	1
2	700048	02-204-724	Displacement pump assy. (includes items 3-31)	1
3*	500213	02-102-596	O-Ring, Teflon	1
4	500268	02-101-750	BALL, piston valve	1
5	500269	02-101-917	BALL, intake valve	1
6*	500221	02-161-788	CUP PACKING, Teflon	2
7*	500222	02-186-647	BEARING, Piston	1
8*	500227	02-161-793	CUP PACKING, Teflon	2
9*	500228	02-186-648	BEARING, Piston	1
10	500107	02-104-029	LUG, grounding	1
11	500264	02-164-250	PIN, ball stop	1
12	500210	02-166-564	BEARING	1
13	500261	02-161-791	HOUSING, Piston valve	1
14	500260	02-162-239	ROD, lower connecting	1
15	500262	02-161-792	WASHER, back-up	1
16	500259	02-162-238	WASHER, back-up	1
17	700023	02-990-041	FRAME, displacement pump	1
18	700030	02-204-885	Rod, upper connecting	1
19	500252	02-990-043	RETAINER, packing	1
20	500263	02-161-795	BODY, piston	1
21	500290	02-164-251X	Foot Valve	1
22	500267	02-101-748	PLUG, pipe; 3/8npt	1
23	500266	02-990-045	PLUG. Pipe; 1/16npt	1
24	500108	02-104-582	SCREW, M5X10	1
25	500238	02-990-359-A	ADAPTER, BUNG	1
26	500239	02-990-359-B	CAP, bung adapter	1
27	500053	02-990-359-C	GASKET	1
28	500240	02-990-359-D	O-RING	1
(25-28)	700019	02-990-359	Complete Bung Assy.	1
29*	500237	02-990-032	O-RING	1
30	500258	02-990-041-6	CYLINDER	1
31*	500066	02-990-038	O-RING	1
32	810203	02-226-040	Complete IP02-SST Pump	1

\*Supplied in the repair kit P/N 601009.

## 5.7 Parts drawing for IP-02S Fluid Section for C/Steel Stubby



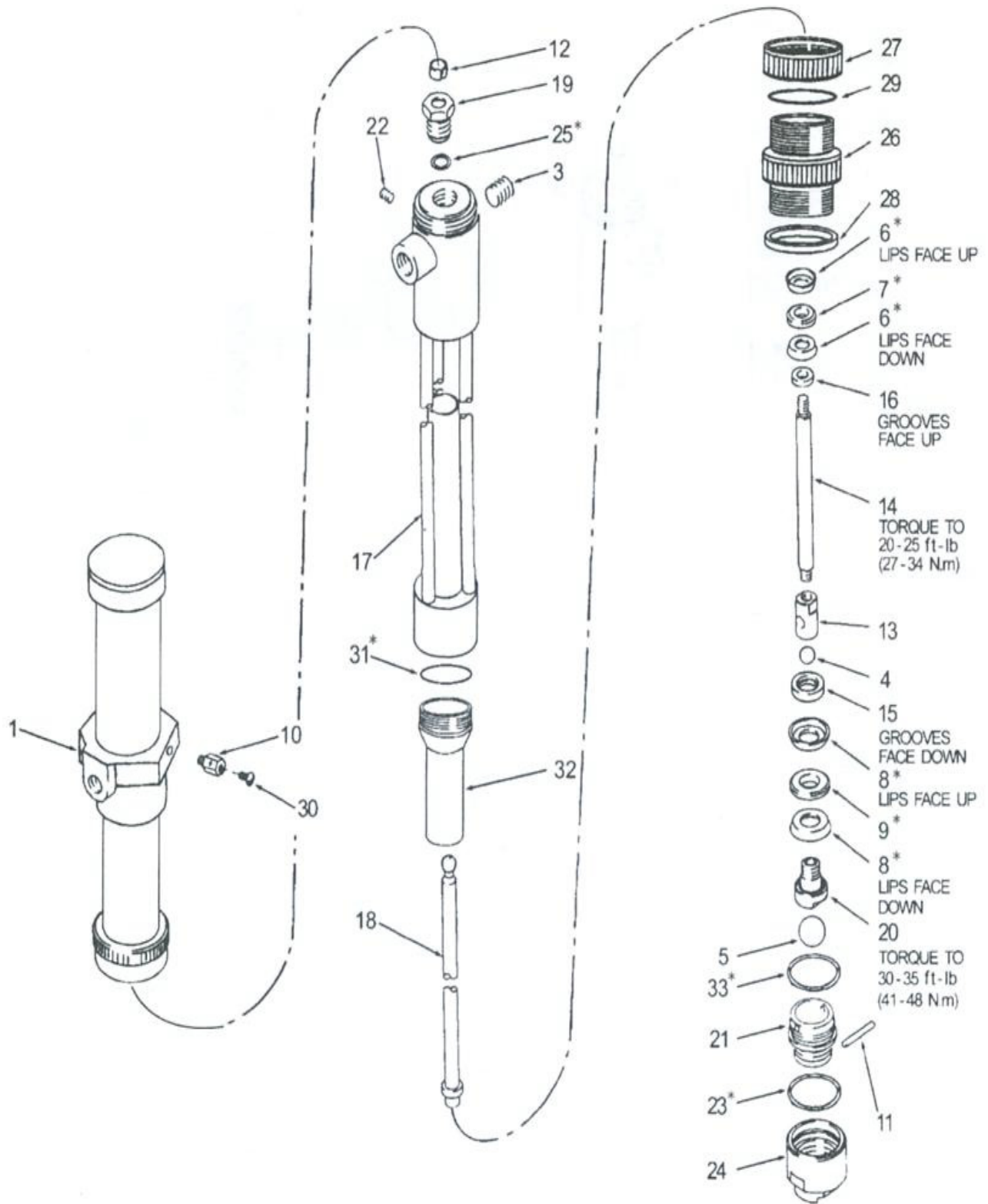
## 5.8 Parts List for IP-02S Fluid Section C/Steel Stubby

Ref No.	New Part Number	Old Part Number	Description	QTY
1	700046	02-223-953	AIR MOTOR	1
2	700049	02-223-955CS	Displacement pump assy. (includes items 3-33)	1
3	500233	02-100-040	PLUG, pipe 3/8" NPT	1
4	500268	02-101-750	BALL, piston valve	1
5	500269	02-101-917	BALL, intake valve	1
6*	500221	02-161-788	CUP PACKING, Teflon	2
7*	500222	02-186-647	BEARING, Piston	1
8*	500227	02-161-793	CUP PACKING, Teflon	2
9*	500228	02-186-648	BEARING, Piston	1
10	500107	02-104-029	LUG, grounding	1
11	500230	02-164-250CS	PIN, ball stop	1
12	500210	02-166-564	BEARING	1
13	500225	02-169-293	HOUSING, Piston valve	1
14	500246	02-186-569CS	ROD, lower connecting	1
15	500226	02-169-295	WASHER, back-up	1
16	500223	02-169-296	WASHER, back-up	1
17	700020	02-990-018	FRAME, displacement pump	1
18	700029	02-223-957CS	Rod, upper connecting	1
19	500211	02-169-298	RETAINER, packing	1
20	500229	02-208-201	BODY, piston	1
21	500291	02-166-609CSX	Foot Valve	1
22	500232	02-103-147	PLUG. Pipe; 1/16" NPT	1
23*	500248	02-166-612	O-RING, Teflon	1
24	500249	02-188-037CS	ADAPTER, intake	1
25*	500213	02-102-596	O-RING, Teflon	1
26	500238	02-990-359-A	ADAPTER, BUNG	1
27	500239	02-990-359-B	CAP, bung adapter	1
28	500053	02-990-359-C	GASKET	1
29	500240	02-990-359-D	O-RING	1
(26-29)	700019	02-990-359	Complete Bung Assy.	1
30	500108	02-104-582	SCREW, M5X10	1
31*	500066	02-990-038	O-RING	1
32	500245	02-990-018-5	CYLINDER	1
33*	500237	02-990-032	O-RING	1
34	810202	02-223-954CS	Complete IP02S Pump	1

\*Supplied in the repair kit P/N 601013.



## 5.9 Parts drawing for IP-02S-SST Fluid Section S/Steel Stubby



## 5.10 Parts list for IP-02S-SST Fluid Section S/Steel Stubby

Ref No.	New Part Number	Old Part Number	Description	QTY
1	700046	02-223-953	AIR MOTOR	1
2	700050	02-223-955	Displacement pump assy. (includes items 3-33)	1
3	500267	02-101-748	PLUG, pipe 3/8" NPT	1
4	500268	02-101-750	BALL, piston valve	1
5	500269	02-101-917	BALL, intake valve	1
6*	500221	02-161-788	CUP PACKING, Teflon	2
7*	500222	02-186-647	BEARING, Piston	1
8*	500227	02-161-793	CUP PACKING, Teflon	2
9*	500228	02-186-648	BEARING, Piston	1
10	500107	02-104-029	LUG, grounding	1
11	500264	02-164-250	PIN, ball stop	1
12	500210	02-166-564	BEARING	1
13	500261	02-161-791	HOUSING, Piston valve	1
14	500275	02-186-569	ROD, lower connecting	1
15	500262	02-161-792	WASHER, back-up	1
16	500259	02-162-238	WASHER, back-up	1
17	700025	02-990-042	FRAME, displacement pump	1
18	700031	02-223-957	Rod, upper connecting	1
19	500252	02-990-043	RETAINER, packing	1
20	500263	02-161-795	BODY, piston	1
21	500292	02-166-609X	Foot Valve	1
22	500266	02-990-045	PLUG. Pipe; 1/16" NPT	1
23*	500248	02-166-612	O-RING, Teflon	1
24	500274	02-188-037	AFAPTER, intake	1
25*	500213	02-102-596	O-RING, Teflon	1
26	500238	02-990-359-A	ADAPTER, BUNG	1
27	500239	02-990-359-B	CAP, bung adapter	1
28	500053	02-990-359-C	GASKET	1
29	500240	02-990-359-D	O-RING	1
(26-29)	700019	02-990-359	Complete Bung Assy.	1
30	500108	02-104-582	SCREW, M5X10	1
31*	500066	02-990-038	O-RING	1
32	500272	02-990-042-3	CYLINDER	1
33*	500237	02-990-032	O-RING	1
34	810204	02-223-954	Complete IP02S-SST	1

\*Supplied in the repair kit P/N 601013.

## 6.0 Repair Kits

### IP02 Air Motor

New Part Number	Old Part Number	Description	Qty
<b>601011</b>	<b>02-990-053</b>	<b>Air Motor Repair Kit</b>	-
500236	02-158-109	O-Ring	2
500144	02-108-358	O-Ring	3
500141	02-108-357	O-Ring	1
500206	02-156-698	O-Ring	1

### IP02 Fluid Section

New Part Number	Old Part Number	Description	Qty
<b>601009</b>	<b>02-990-051</b>	<b>Fluid Section Repair Kit</b>	-
500213	02-102-596	O-Ring	1
500221	02-161-788	Packing	2
500222	02-186-647	Bearing	1
500227	02-161-793	Packing	2
500228	02-186-648	Bearing	1
500237	02-990-032	O-Ring	1
500066	02-990-038	O-Ring	1

### IP02S Fluid Section


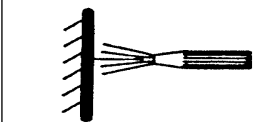
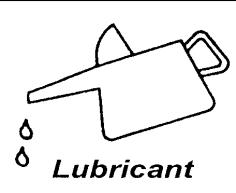
New Part Number	Old Part Number	Description	Qty
<b>601013</b>	<b>02-990-052</b>	<b>Fluid Section Repair Kit</b>	-
500213	02-102-596	O-Ring	1
500221	02-161-788	Packing	2
500222	02-186-647	Bearing	1
500227	02-161-793	Packing	2
500228	02-186-648	Bearing	1
500237	02-990-032	O-Ring	1
500066	02-990-038	O-Ring	1
500248	02-166-612	O-Ring	1

## 7.0 TROUBLESHOOTING

Problem	Causes	Recommended Solutions
Pump does not operate.	<p>Air supply or pressure is inadequate. Air lines restricted.</p> <p>Dispensing valve is not open or clogged.</p> <p>Clogged fluid lines, valves, hoses or damaged air motor.</p> <p>Depleted or exhausted fluid supply.</p>	<p>Increase air pressure. Check for any restrictions in air line.</p> <p>Open and/or clear valve.</p> <p>Follow pressure relief procedure to clear obstruction. Service air motor. Replace parts as necessary.</p> <p>Refill fluid. Prime system or flush it.</p>
Non-stop air exhaust.	Worn or damaged air motor gasket, packing, seal, etc	Service air motor. Replace parts as necessary.
Erratic pump operation.	<p>Intake valve or packing worn off.</p> <p>Intake valve is not completely closed.</p>	<p>Refill fluid. Prime system or flush it.</p> <p>Clear obstruction and service pump. Replace parts as necessary.</p>
Low output on upstroke.	Held open or worn intake valve.	<p>Clear obstruction and service pump.</p> <p>Replace parts as necessary.</p>
Low output on down stroke.	Held open or worn intake valve.	<p>Clear obstruction and service pump.</p> <p>Replace parts as necessary.</p>
Low output on both strokes.	<p>Restriction in air lines or air pressure low.</p> <p>Closed or clogged valves.</p> <p>Fluid supply is insufficient or exhausted.</p> <p>Obstructions in fluid lines, hoses, valves, etc.</p>	<p>Increase air pressure or supply.</p> <p>Open valve or clear valve.</p> <p>Refill fluid. Prime system or flush it.</p> <p>Follow pressure relief procedure to clear obstruction.</p>

# 8.0 TECHNICAL SPECIFICATIONS

## (A) Recommended Application Chart

Industry	Application	Viscosity Range(CPS)
 <b>Chemical</b>	Alcohol	0-100
	Dye	0-1000
	Methyl Chloride	0-200
	Solvents	0-500
 <b>Surface Finishing Material</b>	Paint(Latex)	100-1000
	Paint(Oil base)	100-800
	Sealer(Wood)	100-800
	Stain(Oil base)	100-1000
 <b>Lubricant</b>	Anti-Freeze	30-100
	Die Lubricant	30-50
	Gear Oil	200-1000
	Lubricant	100-1500
	Mold Release Agent	30-100
	Oil	100-500

## (B) Technical Specifications

Fluid to Air Pressure Ratio.....	2 : 1
Max. Output Flow(intermittent)(Stubby).....	2.5gpm (9.5 l/pm)
Max. Output Flow(intermittent)(Drum).....	3.75gpm (11.7 l/pm)
Max. Output Flow(continuous)(Stubby).....	2.0pm (7.6 l/pm)
Max. Output Flow(continuous)(Drum).....	2.5gpm (9.5 l/pm)
Maximum Output Fluid Pressure.....	360 psi (24.8bar)
Air Input Pressure Range.....	30 – 180 psi (2 – 12.4 bar)
Air Inlet Size.....	1/4” NPT(f)
Fluid Inlet Size.....	3/4” NPT(m)
Fluid Outlet Size .....	3/4” NPT(f)
Weight Drum Length.....	16 lbs (7.3 kg)
Stubby.....	14 lbs (6.4 Kg)
Packing.....	Teflon, UHMWPE
Rod and Cylinder.....	SST 304

# IP-02

## Air Operated Fluid Pump

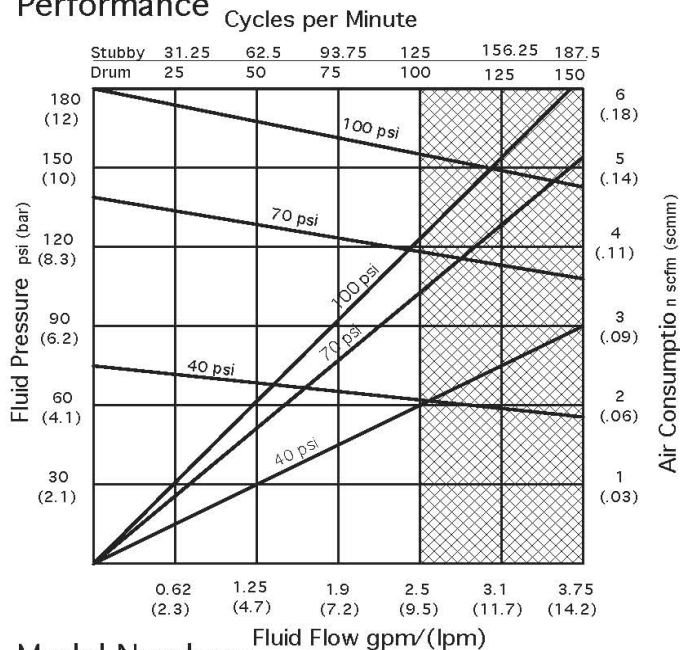


Divorced Design

### Technical Specifications

Fluid Ratio..... 2:1  
 Max. Output Flow (intermittent)(Stubby).....2.5 gpm (9.5 lpm)  
 Max. Output Flow (intermittent)(drum)..... 3.75 gpm (11.7 lpm)  
 Max. Output Flow (continuous)(stubby).....2.0 gpm (7.6 lpm)  
 Max. Output Flow (continuous)(drum).....2.5 gpm (9.5 lpm)  
 Maximum Output Pressure.....360 psi (24.8 bar)  
 Maximum Air Input Pressure.....180 psi (12.4 bar)  
 Air Inlet Port.....1/4 npt(f)  
 Fluid Outlet Port.....3/4 npt(f)  
 Fluid Inlet Port (stubby).....3/4 npt (f)  
 Rod & Piston Packings.....Teflon®  
 Other Seals.....Viton®  
 Rod & Cylinder.....Carbon Steel or Stainless Steel  
 Other Wetted Parts.....Carbon Steel or Stainless Steel  
 Weight stubby/drum.....11.5 lbs. (5.2 Kg.)/17 lbs. (7.7 Kg.)  
 Package Dimensions & Weight:  
 IP-02....4"x4"x54" (102mm x 102mm x 137cm) 19 lbs. (8.6 Kg.)  
 IP-02S..4"x4"x35" (102mm x 102mm x 889mm) 16 lbs. (7.26 Kg.)

### Performance



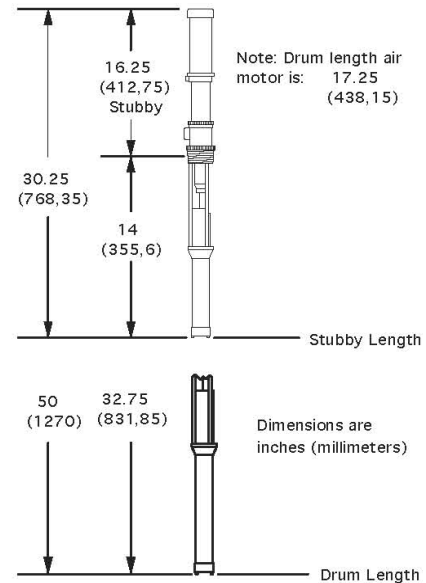
### Model Numbers

Bare Stubby: IP-02S, IP-02S-SST  
 Bare Drum: IP-02, IP-02-SST  
 Bung Adapter\*: 02-990-359A

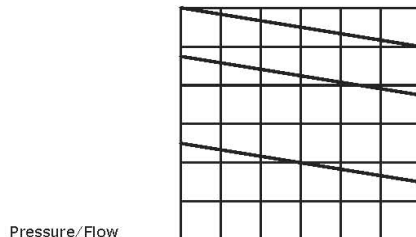
\*One supplied with pump. Additional adapters can be used in new material drums for minimal interruption of operation during drum change-over. Adapters have internal seal to allow nitrogen blanket or prevent moisture contamination.

IFP 103 06/08

### Dimensions

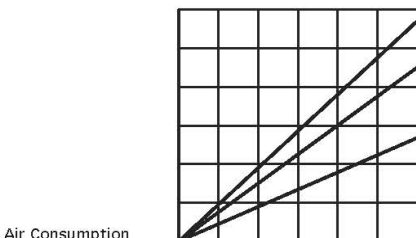


### How to Read Performance



Pressure/Flow

1. Locate required flow along bottom edge of chart.
2. Follow vertically to bold line for input air pressure.
3. Follow horizontally to left edge of chart to read maximum available fluid pressure.



Air Consumption

1. Locate fluid flow along bottom edge of chart.
2. Follow vertically to bold line for input air pressure.
3. Follow horizontally to right edge of chart to read air consumption.

# 100 Series 2:1

## Air Operated Fluid Pump



IPM's IP-02 series of pumps are specifically designed for use with difficult to handle materials. The immersed lower pump, tie tubes, and sealing bung bushing allow quick drum change without exposing the system to contamination and moisture.



- Carbon Steel or stainless steel construction for economy and durability
- Teflon® packings and Viton® seals for material compatibility.
- Available in tote, drum and stubby lengths.

Piston style air motor allows a compact pump design; best suited for use as a drum transfer pump.

Rotatable air motor coupling allows air inlet and fluid outlet to be orientated to any position.

Recirculation fitting allows material to be returned to the drum. Can also be used to pressurize the drum.

Separable bung bushing allows fast slip-in/slip-out drum change. Bushing is not part of the pump, so no need to disconnect hoses to rotate pump. Sealed design provides an excellent moisture barrier.

Full length wet cup prevents material from hardening on rod stroke area while changing drums. Extends seal life.

Immersed lower pump assembly maintains wetted rod and seal area, preventing material from hardening. Extends rod and seal life.

### Typical Fluids Handled

- \*Polyureas
- \*Polyols
- \*Enamels
- \*Isocyanates
- \*Acid catalyzed finishes

### Typical Applications

- \*Aerospace
- \*Wood furniture
- \*Automotive
- \*Transportation
- \*Petro-chemical

International Pump Manufacturing  
Phone: 253-863-2222 Fax: 253-863-2223

3107 142<sup>nd</sup> Ave East Suite #106  
Sumner, WA. 98390

Web: [www.ipmpumps.com](http://www.ipmpumps.com)

Email: [sales@ipmpumps.com](mailto:sales@ipmpumps.com)

## **9.0 WARRANTY AND DISCLAIMER**

International Pump Manufacturing, Inc. (IPM) warrants the equipment it manufactures to be free of defects in material and workmanship for a period of one year from the day of sale by an authorized IPM distributor to the original purchaser. IPM will at its discretion repair or replace any part of the equipment proven to be defective. This warranty applies only when the equipment is used for the intended purpose and has been installed, operated and maintained in accordance with the written recommendations.

A condition of the warranty is the prepaid return of the equipment to an authorized distributor of IPM who shall provide verification of the warranty claim. IPM will repair or replace, free of charge any parts found and verified to be defective. Transportation will be prepaid for the repaired or replaced parts under warranty. Should the inspection of the equipment not reveal any defect in material or workmanship, repairs will be made at standard charges, which include parts, labor and transportation.

The warranty does not apply or nor will IPM be liable for damage, wear, or malfunction of equipment caused by improper installation, misuse, abrasion, corrosion, negligence, accident, tampering, lack of improper maintenance, or by substitution of non-IPM parts. Additionally IPM shall not be liable for and the warranty does not apply to wear, damage, or malfunction caused by incompatibility of accessories, components, structures, equipment or materials not supplied by IPM. The warranty does not apply to nor will IPM be responsible for the improper operation, maintenance, design, manufacture, installation of components, accessories, equipment or structures not supplied by IPM.

The warranty is void unless the Warranty Registration Card is properly completed and returned to International Pump, Inc. within ONE month of date of sale.

### **LIMITATIONS AND DISCLAIMERS**

This warranty is the sole and exclusive remedy for the purchaser. No other warranties (expressed or implied), including warranties for fitness of purpose or merchantability, or non-contractual liabilities are made, including product liability, whether on negligence or strict liability basis. Liability for directly special or non-contractual damages or loss is expressly excluded and denied. IPM's liability shall in no case exceed the amount of the purchase price.

IPM does not warrant and disclaims implied warranties of merchantability and fitness for a particular purpose, components, accessories, equipment, materials sold but not manufactured by IPM. These items (switches, hoses, etc.) are subject to the provisions of the warranty of the manufacturer of these items. IPM will provide reasonable assistance with warranty claims on these items.





**3107 142<sup>nd</sup> Avenue East, Suite 106  
Sumner, Washington 98390  
Telephone: (253) 863-2222 Fax: (253) 863-2223  
Website: [ipmpumps.com](http://ipmpumps.com) Email: [sales@ipmpumps.com](mailto:sales@ipmpumps.com)**

**Revised 10/17/2009**